

Targeted applications



ALTIVAR 303

Variable speed drive for 3-phase asynchronous motors,
0.37kW to 11kW at 415V

Make the most of your energy !



Schneider
Electric

For more information visit our website at: www.schneider-electric.co.in
Schneider Electric India Pvt. Ltd. (A 100% subsidiary of Schneider Electric Industries SAS)
Corporate office: 9th Floor, DLF Building No. 10, Tower C, DLF Cyber City, Phase II,
Gurgaon - 122002, Haryana, Tel: 0124 3940400, Fax: 0124 4222036
Customer Care Centre : Toll-free numbers: 1800 180 1707, 1800 103 0011
General number: 0124 4222040, Email: in-care@schneider-electric.com

Schneider
Electric

ALTIVAR 303

Specifications	
Control Method	Standard (Voltage/Frequency) Vector Control Pump/Fan (U ² /F quadratic ratio) Voltage/Frequency ratio (2 points)
Speed Range	1:20
Rated Input Voltage	380-460V +/- 10%
Rated Input Frequency	50-60Hz +/- 5%
Output Voltage	3 Phase maximum equal to input voltage
Output Frequency	0.5 to 400Hz
Over Current Capacity	150% for 60s
Control Inputs/Outputs	1 Analog Input Programmable as 0-5/10V or 0-20mA 1 Analog Output 0-10V or 0-20mA 4 Logic Input 1 Logic Output 1 Relay Output with 2 change over
Acc./Dec Time	0.0-999.9 s
Switching Frequency	Programmable from 2kHz to 12kHz.
Protection	Phase short circuit, Earth short circuit, Overload Protection (I _{2t}) Mains Under-Voltage and Over-Voltage protection
Standard Functions	Preset speeds and 2/3 wire control, D.C Injection braking.
Degree Of Protection	IP2X
Ambient Temperature	55° C without deration
Operating Position	Vertical

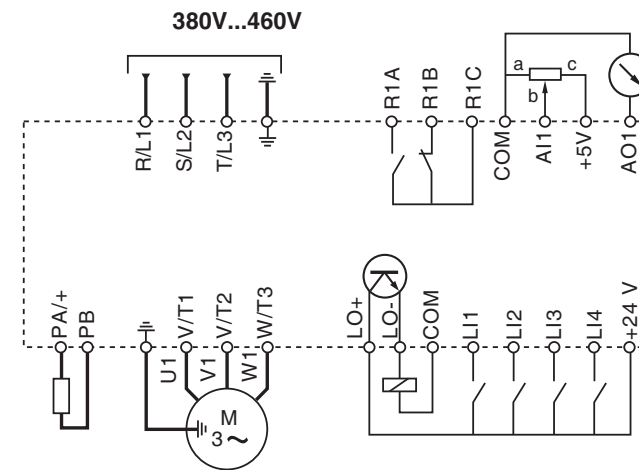
Salient features of ATV303 -

- Space saving**
 - > Small Size
 - > Side by Side installation
- Easy Commissioning**
 - > Multi-loader configure power OFF
 - > Simple loader Power ON
 - > Remote Keypad
 - > My menu lable
- High ambient Temperature**
 - > 55 deg without de-rating
 - > Switching frequency Management
- Robust of output performance**
 - > Motor control Function
 - > No Nameplate setting
 - > Starting & braking torque
- Dusty Environment**
 - > Deep coating of PCB
 - > No airflow through PCB
 - > Fan & heat sink
- Communication**
 - > Modbus

ALTIVAR 303

Selection Chart For Altivar 303			
Reference	Rating (kW)	Output Current (Amps) at 55° C	Dimensions (WxHxD) (mm)
ATV303H037N4E	0.37	1.5	72 x 143 x 130
ATV303H075N4E	0.75	2.3	72 x 143 x 140
ATV303HU15N4E	1.5	4.1	105 x 143 x 151
ATV303HU22N4E	2.2	5.5	
ATV303HU30N4E	3	7.1	
ATV303HU40N4E	4	9.5	140 x 184 x 151
ATV303HU55N4E	5.5	12.6	
ATV303HU75N4E	7.5	17	
ATV303HD11N4E	11	24	150 x 232 x 171

Standard Wiring Diagram



Drives with external display

Quick configuration with Multi-loader

